



FlexRemote 9

User's manual

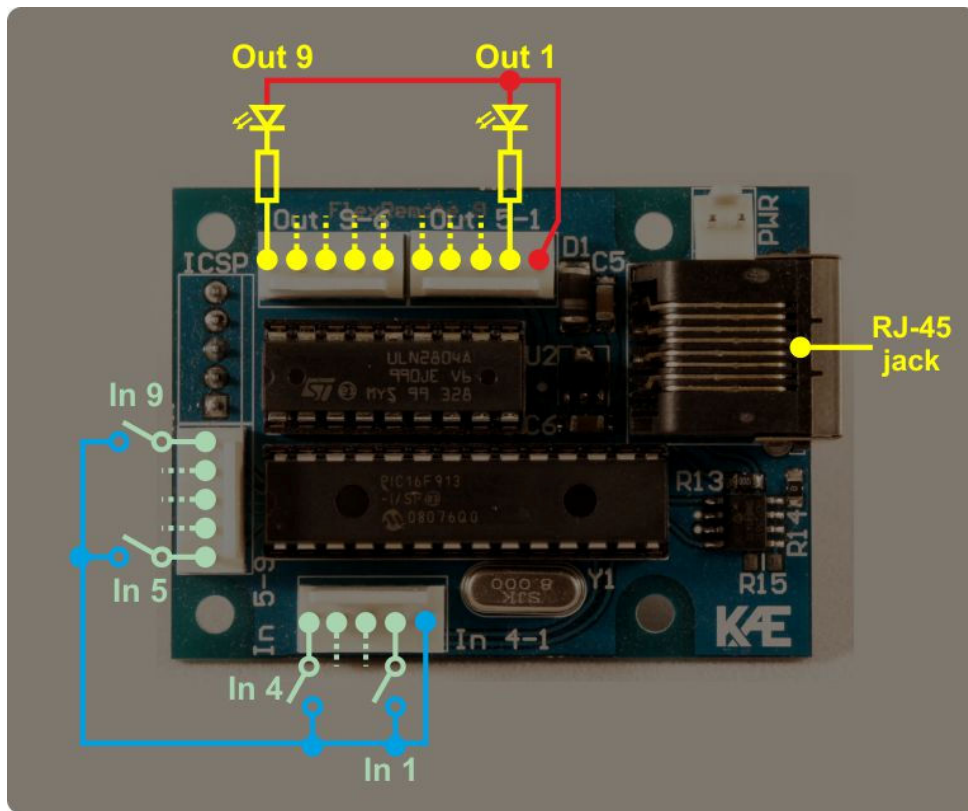
25 january 2015

www.kae-systems.com

What's this?

'FlexRemote 9' (FR9) is a compact extension board for 'FlexControl 14' (FC14) device.

Hardware features and wiring diagram



- 9 high-current open-collector digital outputs / PWMs for relays / LEDs / servo motors
- 9 digital inputs (pulled up) for buttons / switches
- All digital inputs and outputs go out on standard 2,54mm male connectors
- RJ-45 jack for connecting master 'FC14' board over straight-through Ethernet cable.
- Reverse polarity protection
- Specially designed for panel mounting

Operation

FR9 requires a master FC14 board connected through **straight-through** Ethernet cable (see correct pinout below). FR9's outputs copy the outputs 1 to 9 of the master FC14 board, while at the same time, supplying inputs 1 to 9 to FC14.

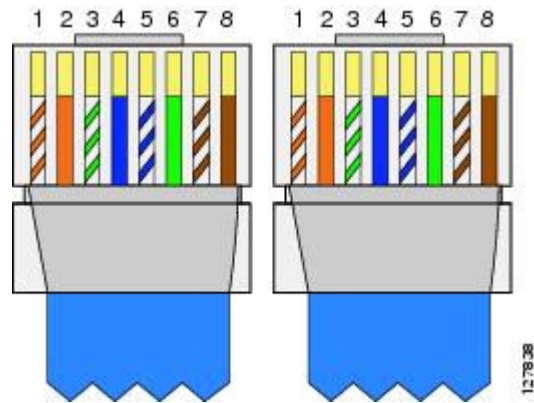
All settings for FR9 are made with FlexConfigurator utility (see the user's manual of FC14 for details) and stored in the memory of 'FC14'. FR9 is configured at each powerup.

Please note: 'FlexRemote 9' is powered **entirely** from 'FlexControl 14' board through the Ethernet cable. Do not connect any power source to PWR connector (shown on the picture above)!

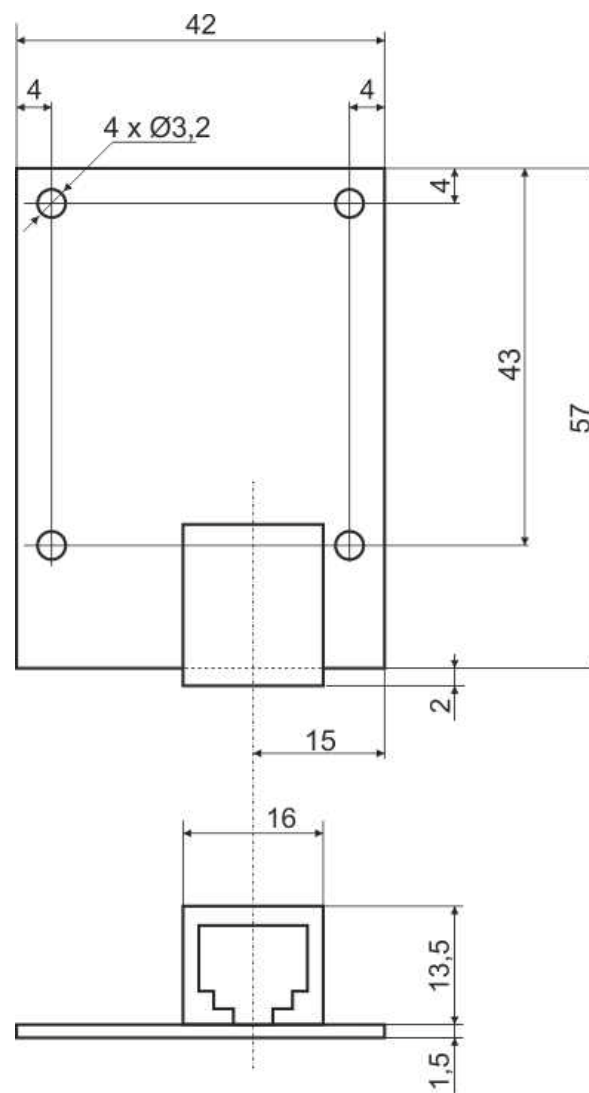
Electrical specifications

- Supply voltage range: 7,5 – 25V, recommended 9 - 15V.
- Power consumption: 20 mA @ 12V; no loads connected; all outputs off.

Straight-through Ethernet cable pinout



Mechanical drawing



All dimensions in millimeters.